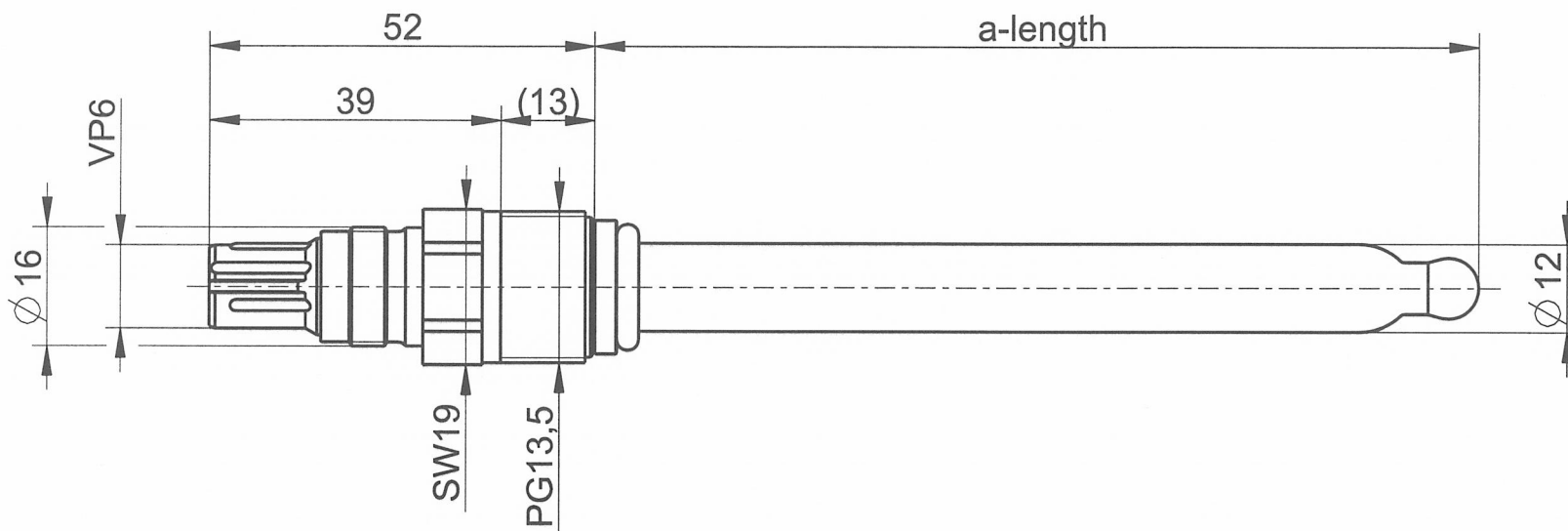
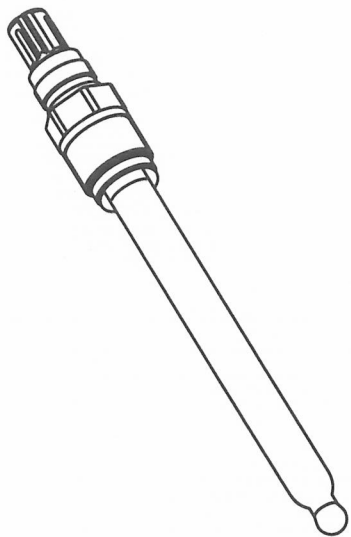



Modell Nr.	238633-9119	Änd. Nr.	
Modell Rev.	00-0-Released	Änd. Datum	
Objektyp	ASSEM	Name	
Zeich. Rev.	00-0-Released		



Information in this document is valid only for the revision indicated and may be subject to change without notice!

Dimensions without tolerances are for information purpose only!

EasyFerm Plus	Mass		 [mm]	Scale	1/1
	Material			Size	A4
	Drawn	M.Kornis	16.11.2015	Sheet	1/1
	Checked	<i>[Signature]</i>	<i>[Signature]</i>	Rev.	00
HAMILTON		Hamilton Bonaduz AG Via Crusch 8 CH-7402 Bonaduz		SZC238633-9119	