

DPD1T-.../DPD2T-... DPD1T-.../DPD2T-...

Metal-diaphragm
differential pressure switch

▶ Pressure



- ▶ Proved technology in new design
- ▶ Very precise and complete sealed switching system
- ▶ Adjustment range from 0.002... 10.3 bar

Barksdale
CONTROL PRODUCTS
CRANE Barksdale, Inc./Barksdale GmbH
A Subsidiary of Crane Co.

Metal-diaphragm differential pressure switch *Type DPD1T-.../DPD2T-...*

Mechanical single/dual pressure switch
Repeatability ±1.0% at constant temperature

Features

Metal-diaphragm differential pressure switch
 Switching point can be adjusted with corresponding reference unit during operation

Applications

machine and tool engineering,
 autoclaves,
 pump control,
 refrigerant monitoring
 ship building applications



Index: A

Technical Data

medium-contacting parts:	Stainless steel 17-7PH nickel-faced aluminium O-rings: FKM
Repeatability:	±1 % at constant temperature
Switching rate:	max. 20/min
Temperature range:	-40 °C... +75 °C
System of protection	IP65
Housing:	anodized aluminium
Process connection:	1/8" NPT female thread
Electrical connection:	internal terminal strip (0.5-2.5 mm ²) Standard: WAGO terminal and cable gland M20 x 1.5; clamping range ø5... 11 mm

Electrical load capacity and hysteresis:	Many microswitch versions with different switching powers and hysteresis are applicable and make it possible to make customized changes.
Weight:	DPD1T-...: approx. 1.6 kg DPD2T-...: approx. 1.7 kg
Switching point adjustment:	Switching point lowers by turning the adjustment screw clockwise.
Inherent safety:	The switches are also applicable for inherent safety applications. Add "Exi" in case of ordering. The following max. values are valid when using those switches: U _{max} = 28 V I _{max} = 50 mA
Approval:	---

Pressure stages

Values shown in red (max. pressure rising) = **max. operating pressure**
 * possible operating pressures up to 28 bar. Differential pressure of the adjustment range must not be exceeded.

Pressure stage code	Adjustment range [bar] *		Test pressure [bar] (short time)	Max. hysteresis of the different switches in bar (end of range)	
	rising pressure	lowering pressure		H, GH [bar]	M, GM [bar]
Overpressure					
3SS	0.01 ... 0.2	0.002 ... 0.2	0.7	0.008	0.017
18SS	0.04 ... 1.2	0.03 ... 1.2	4.0	0.022	0.050
80SS	0.14 ... 5.5	0.030 ... 5.4	10.9	0.140	0.320
150SS	0.30 ... 10.3	0.100 ... 10.1	20.0	0.260	0.600

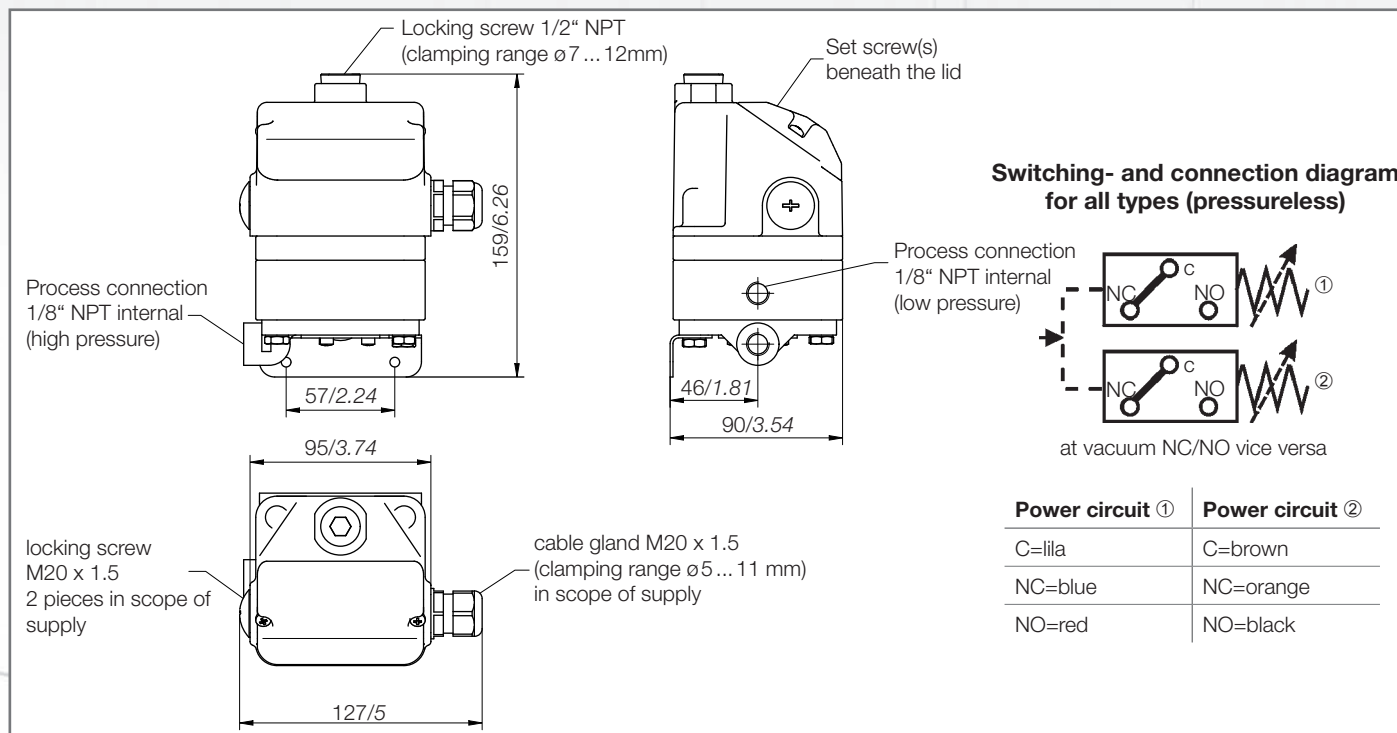
Specifications are subject to changes without notice.

Pressure

Metal-diaphragm differential pressure switch *Type DPD1T-.../DPD2T-...*

Dimensions (in mm / inch)

Index: A



Power circuit ①	Power circuit ②
C=lila	C=brown
NC=blue	NC=orange
NO=red	NO=black

Load capacity

Micro-switch	special features	Volt AC 50/60 Hz	Ind. load A	Res. load A	Volt DC	Ind. load A	Res. load A	Comments
H	Microswitch with silver contacts	125 250	10 10	10 10	6 to 28	0.50	0.5	low change-back values; high AC-/ low DC-load
M	Microswitch with silver contacts	125 250	10 10	10 10	12 24 250	5.00 1.00 0.25	15.0 2.0 0.4	intermediate change-back values; high AC- and DC-loads
GH	Microswitch with gold contacts for low voltage and low current	125	1	1	24	1.00	1.0	low change-back values
gm		30	0.1	0.1	30	0.10	0.1	intermediate change-back values

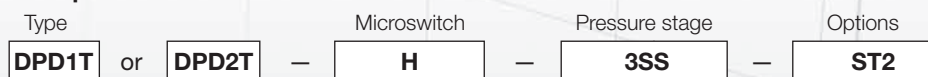
480 V AC and 15 A only upon request

Options

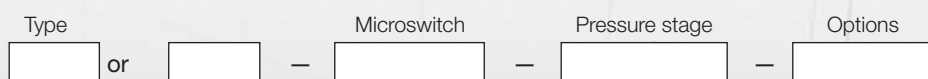
	DPD1T-...		DPD2T-...
ST1	Plug, 3-pin + E, DIN EN 175 301-801-A (prev. DIN 43650)	ST3	Plug, 6-pin + E, DIN 43651
ST2	Amphenol plug 4-pin + E	EXI	for intrinsically safe application
EXI	for intrinsically safe application		

Ordering

Example for order number



Your order number



Experts

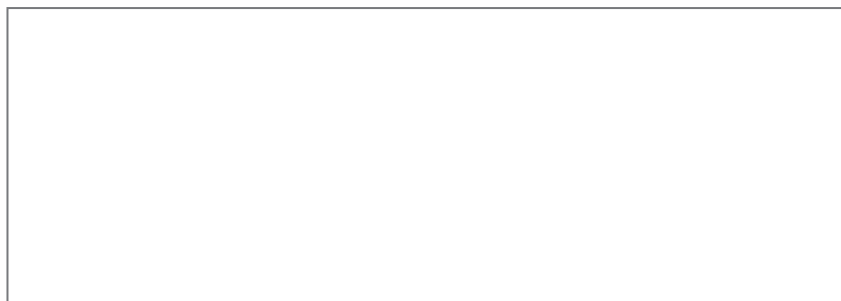
Specialists for monitoring and control of:

- ▶ Pressure
- ▶ Temperature
- ▶ Level
- ▶ Flow

Almost sixty years of experience in the area of mechanical and electronic control of liquid media and responding to customers needs have resulted in an extensive range of products to meet a wide range of applications. Barksdale's priority is clear. It is our commitment to quality instrumentation and exceptional customer service that has remained the cornerstone of our success. Based on our innovative and market-focused technologies in the areas of pressure, level, flow and temperature measuring processes we provide solutions that fit.



Global Presence



Barksdale Inc.

3211 Fruitland Avenue
Los Angeles, CA-90058-0843
U.S.A.
Phone: (323) 5 89 61-81
Fax: (323) 5 89 34-63
www.barksdale.com

Barksdale GmbH

Dorn-Assenheimer Strasse 27
D-61203 Reichelsheim
Phone: (+49)-6035-949(0)
Fax: (+49)-6035-949-111/113
E-mail: info@barksdale.de
www.barksdale.de

Barksdale
CONTROL PRODUCTS
CRANE Barksdale, Inc./Barksdale GmbH
A Subsidiary of Crane Co.