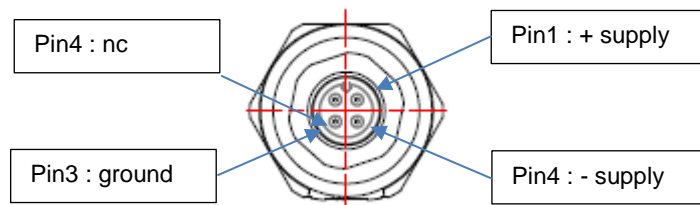
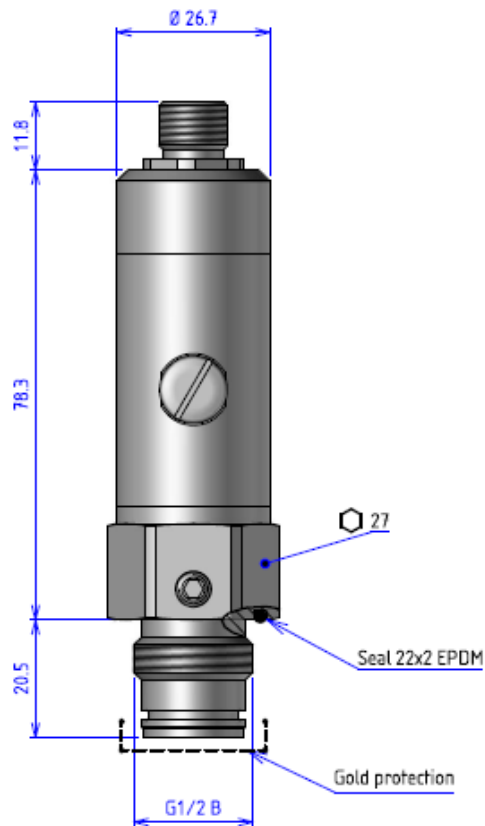


Dimensions:


Pressure Transmitter H₂

Type : Y923-5GB##.R/2164/7912

Technical specification

Code SAP	11253447 (B22.R)	11253446 (B26.R)	11253448 (B29.R)
Measuring range	0...10 Bar	0...25 Bar	0...60 Bar
Max pressure	20 Bar	50 bar	120 bar
Burst pressure	30 Bar	75 bar	180 bar
Type of pressure	Relative		
Accuracy (20°C)	± 0.3% FS BFSL (lin, hyst, repea)		
Zero point	± 1% FS		
Span error	± 1% FS		
Zero thermal drift	± 0.25% FS/10K		
Span thermal drift	± 0.15% EM/10K		
Annual stability	≤ 0.2%/year		
Response time	≤ 3 ms typical (10...90%)		
Compensated temperature range	-20°C...+85°C		
Operating temperature range	-30°C...+85°C		
Storage temperature range	-40°C...+85°C		
Process connection	G1/2 B		
Protection rating	IP67		
Standard compliance	ATEX		

Electrical specification

Output signal	4...20 mA
Power supply	11...28 Vdc
Electrical connection	M12 – 4 pins

Material

Process connection	Stainless steel AISI 316L (1.4404)
Cell	Ceramic
Diaphragm	1.4404 + gold plated 15 µm
O-Ring (contact w/ media)	EPDM (5G)
Housing	Stainless steel AISI 304 (1.4301)
Oil filling	Silicone oil