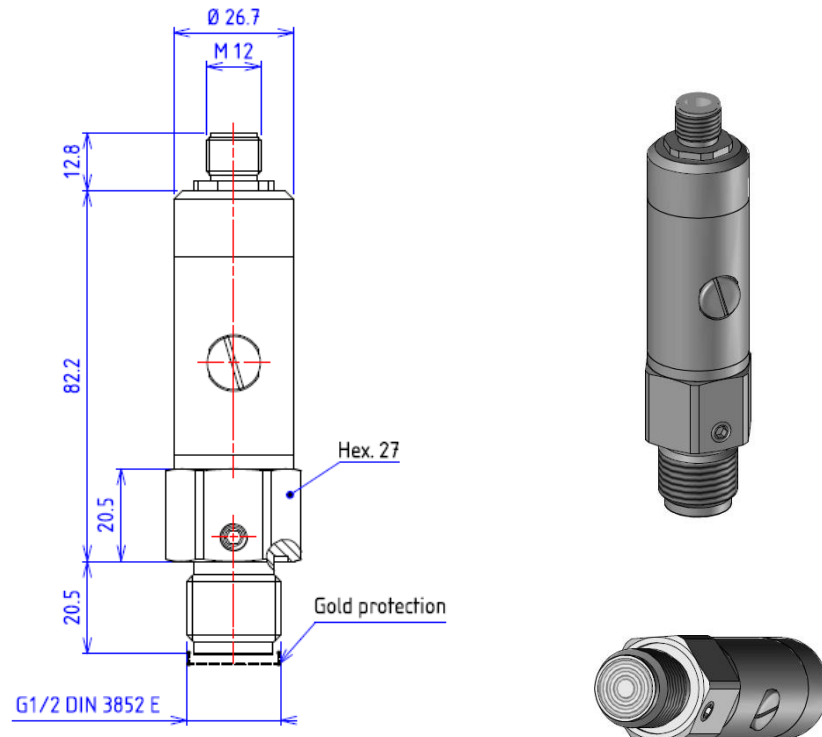
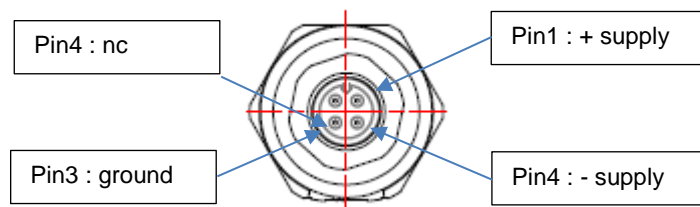


**Dimensions:**

**Electrical connection:**


## Pressure Transmitter H<sub>2</sub>

Type : Y923-5GB##.R/2164/7912

**Technical specification**

Code SAP	11251857 (B31.R)	11251858 (B35.R)	11251860 (B38.R)
Measuring range	0...100 Bar	0...250 Bar	0...400 Bar
Max pressure	200 Bar	500 bar	600 bar
Burst pressure	300 Bar	600 bar	800 bar
Type of pressure	Relative		
Accuracy (20°C)	± 0.3% FS BFSL (lin, hyst, rep.)		
Zero point	± 1% FS		
Span error	± 1% FS		
Zero thermal drift	± 0.25% FS/10K		
Span thermal drift	± 0.15% EM/10K		
Annual stability	≤ 0.2%/year		
Response time	≤ 3 ms typical (10...90%)		
Compensated temperature range	-20°C...+85°C		
Operating temperature range	-30°C...+85°C		
Storage temperature range	-40°C...+85°C		
Process connection	G1/2 DIN 3852 E		
Protection rating	IP67		
Standard compliance	ATEX		

**Electrical specification**

Output signal	4...20 mA
Power supply	11...28 Vdc
Electrical connection	M12 – 4 pins

**Material**

Process connection	Stainless steel AISI 316L (1.4404)
Cell	Ceramic
Diaphragm	1.4404 + gold plated 15 µm
Gasket (contact w/ media)	EPDM (5G)
Housing	Stainless steel AISI 304 (1.4301)
Oil filling	Silicone oil