

Verderair VA-P25



VA-P25

VERDERAIR

| Technical data VA-P25 | | | |
|---------------------------------|-----------|----------------------|-----------|
| Nominal port size | Code No.6 | TN | 1" NPT[f] |
| | | FD | DN25 |
| | | FA | 1" |
| | | FJ | 1" |
| Air inlet | | | R 1/4" |
| Weight [kg] | | VA-P25EE | 15 |
| | | VA-P25GG | 14 |
| | | VA-P25TT | 34 |
| | | VA-P25UU | 32 |
| Max. operation pressure [Bar] | | | 7 |
| Max. operating temperature [°C] | | VA-P25EE or VA-P25GG | 70 |
| | | VA-P25TT or VA-P25UU | 120 |
| Max. size pumpable solids [mm] | Code No.3 | EP or TF or SS | 6 |
| | | CV | / |
| Max. Suction lift dry [mWc] | Code No.3 | EP or TF or SS | 3 |
| | | CV | 4 |
| Max. Suction lift wet [mWc] | Code No.3 | EP or TF or SS | 9,5 |
| | | CV | 9,5 |

CODE VA-P40 No.1 No.2 No.3 No.4 No.5 No.6

No.1 Housing & Center Section/ No.2 Valve seat

- EE EE = Polyethylene (PE UHMW)
- ⚠ GG GG = Conductive Polyethylene (PE UHMW)
- TT TT = PTFE
- ⚠ UU UU = Conductive PTFE

No.2 Valve seat

- EE = Polyethylene (PE UHMW)
- ⚠ GG = Conductive Polyethylene (PE UHMW)
- TT = PTFE
- ⚠ UU = Conductive PTFE

No.3 Valve balls

- EP = EPDM
- TF = PTFE
- CV = Cylinder Valve

No.4 Diaphragms

- EO = EPDM Overmolded
- TO = PTFE Overmolded

No.5 Fluid connections

- TN = NPT Threaded female
- FD = Flanged DIN
- FA = Flanged Ansi
- FJ = Flanged JIS

No.6 Options

- OO = Standard, no option
- RE = Remote
- PD = Ready for Pulsation Dampener
- VS = Vertical Suction
- BS = Barrier system with Sensors only
- LS = Leak detection, Sensor only
- SS = Stroke Sensor
- DM = Draining Manual
- DP = Draining Pneumatical
- AP = ANSI Prepared

⚠ II 2GD c II B Tx

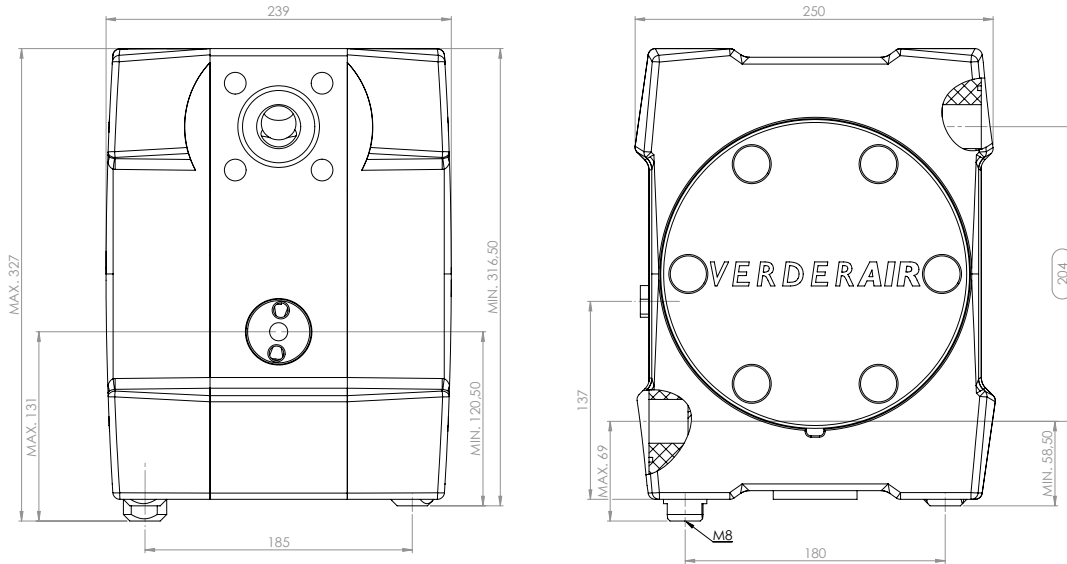
EXAMPLE PUMP TYPE

EXAMPLE : VA-P25EE EE TF TO TN OO



Verderair VA-P25

VA-P25



Dimensions in millimeters

Measured with water of 20°C

