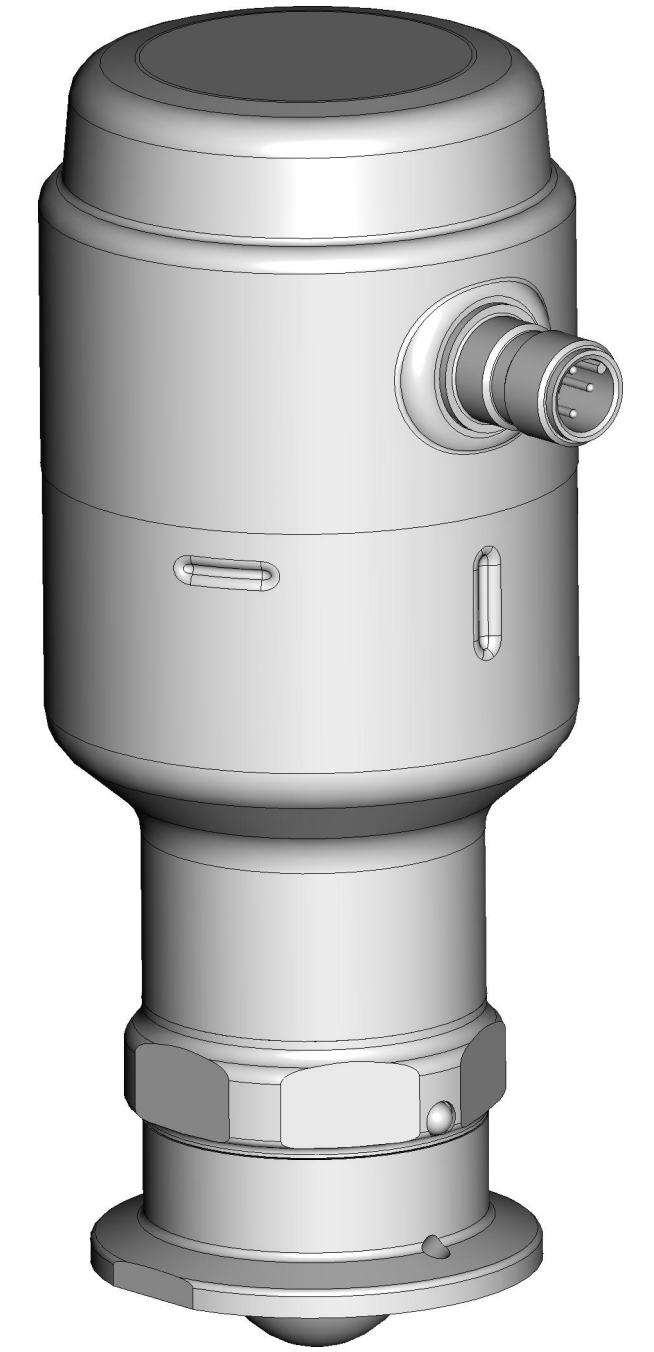
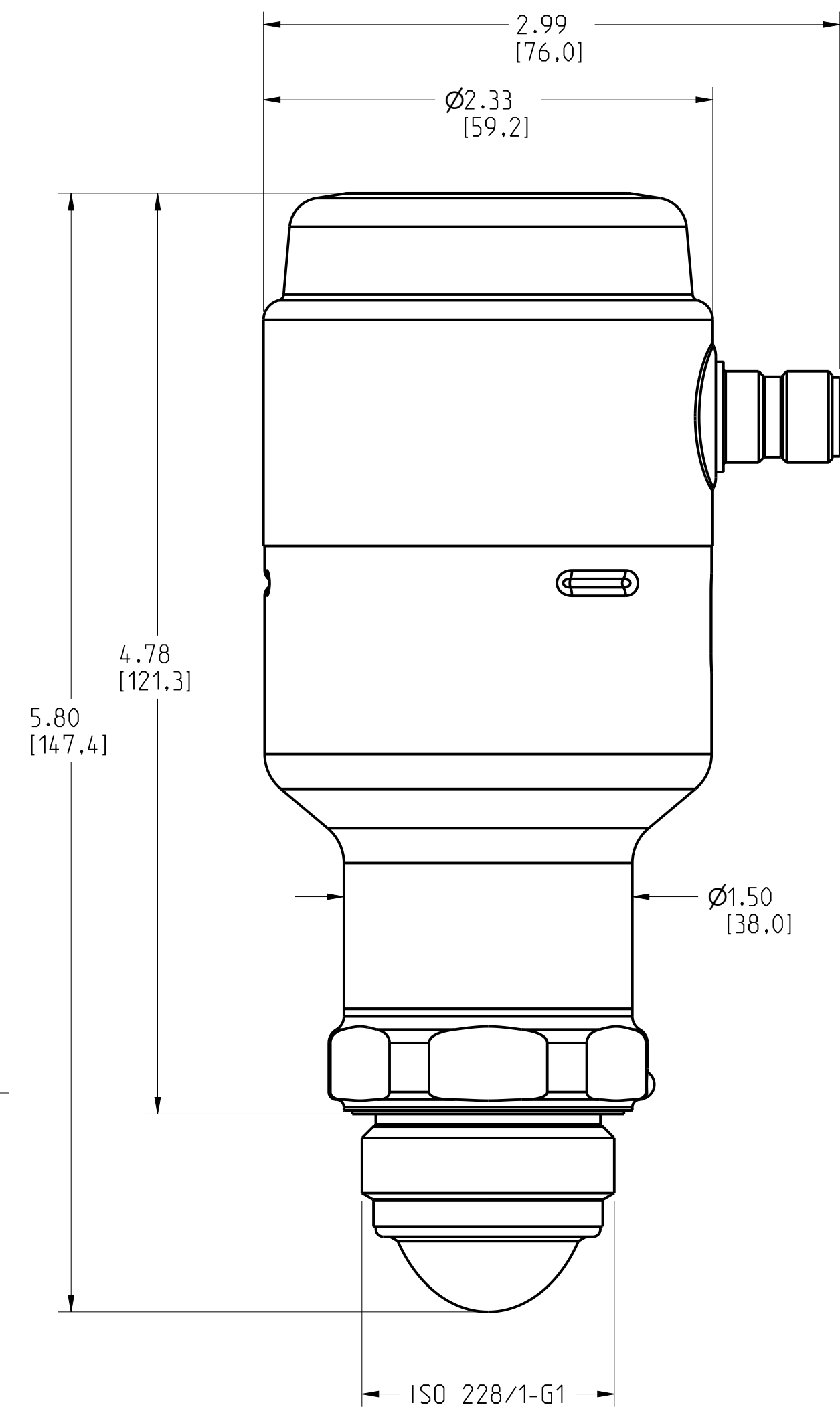


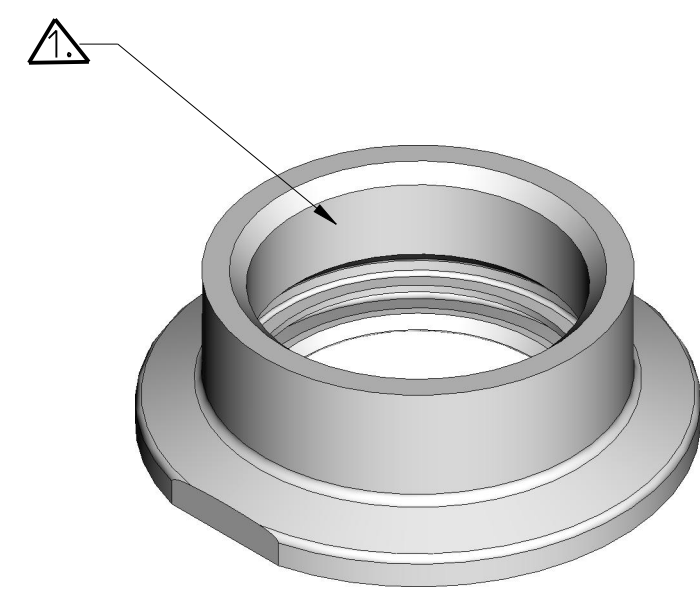
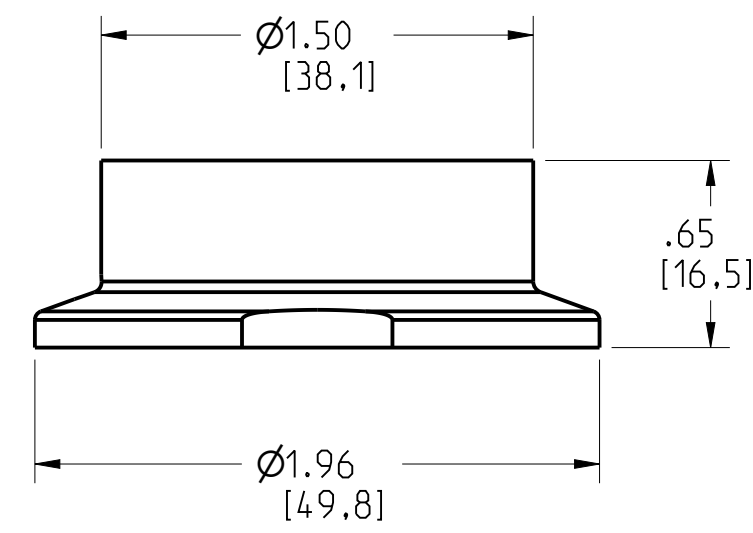
ROSEMOUNT 1408H LEVEL TRANSMITTER AND PROCESS CONNECTION ADAPTERS

REVISION TABLE			
REVISION	ECO NO.	APP'D	DATE
AB	RTC1077450	J. SANDAHL	5/24/21
DESCRIPTION			
NEW RELEASE			

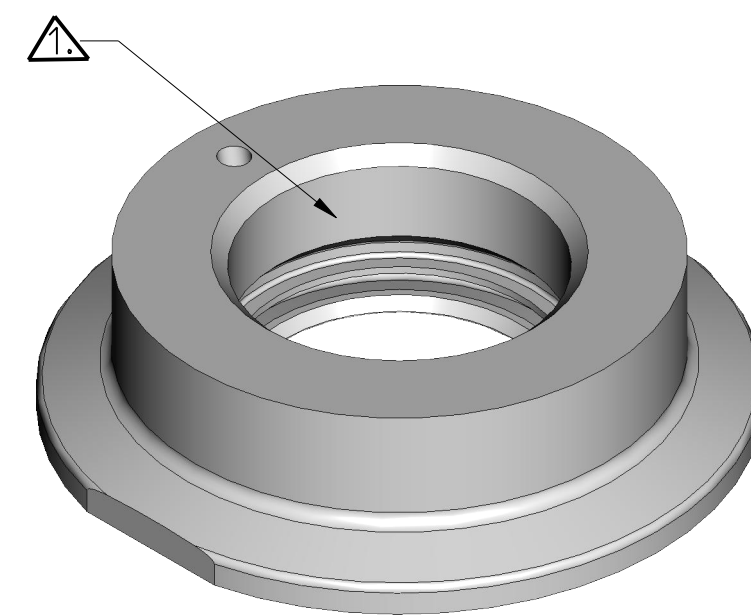
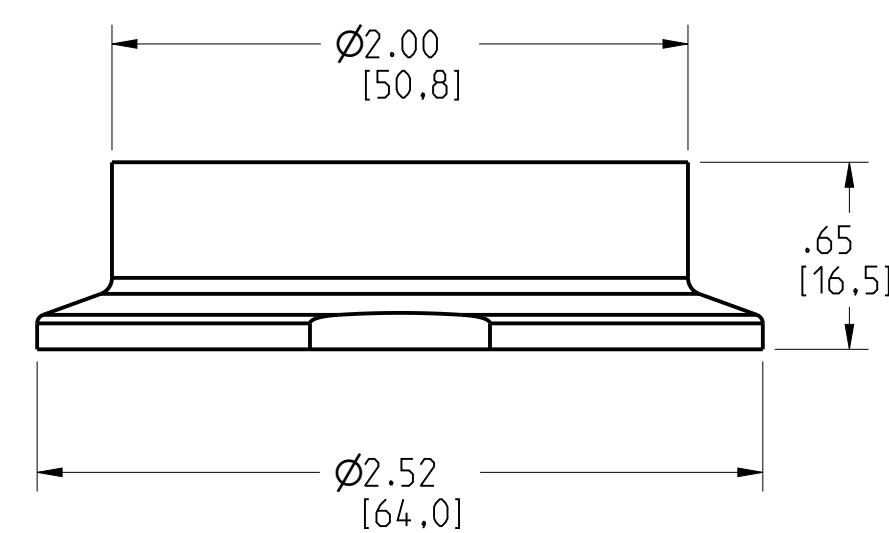
LEVEL TRANSMITTER



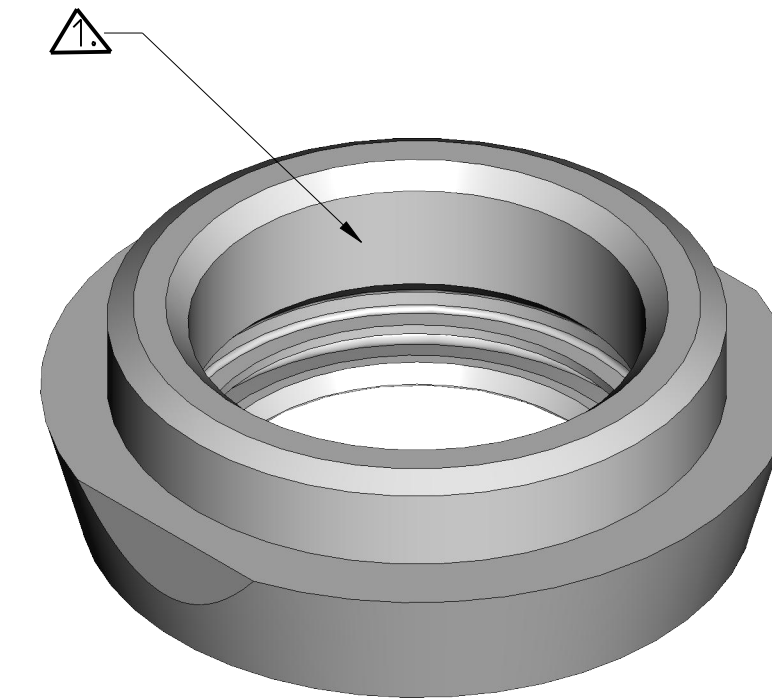
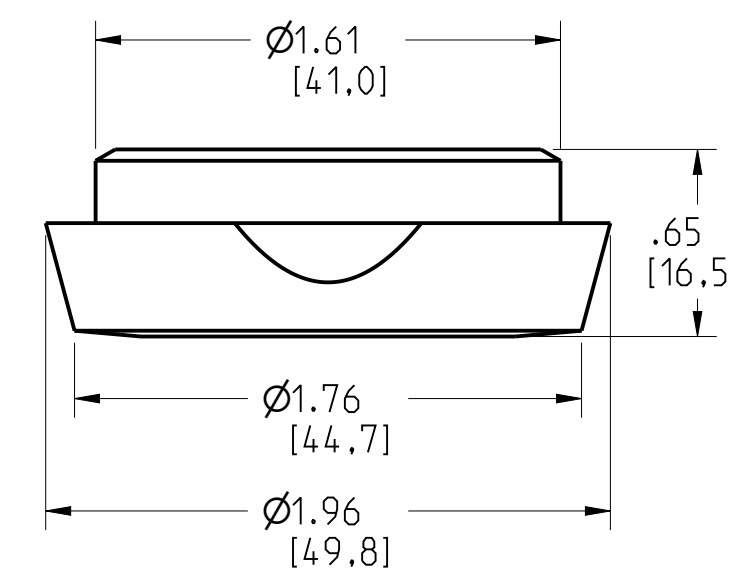
1.5" TRI-CLAMP



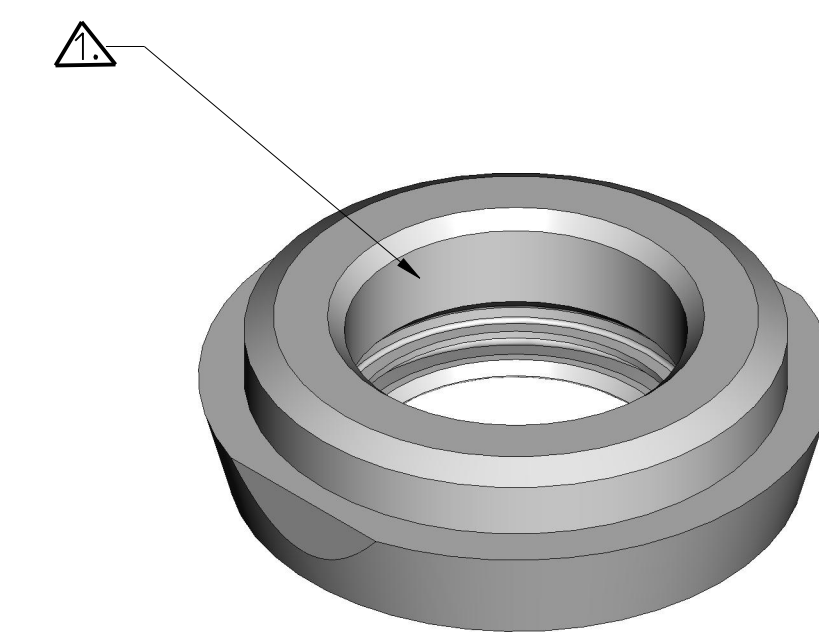
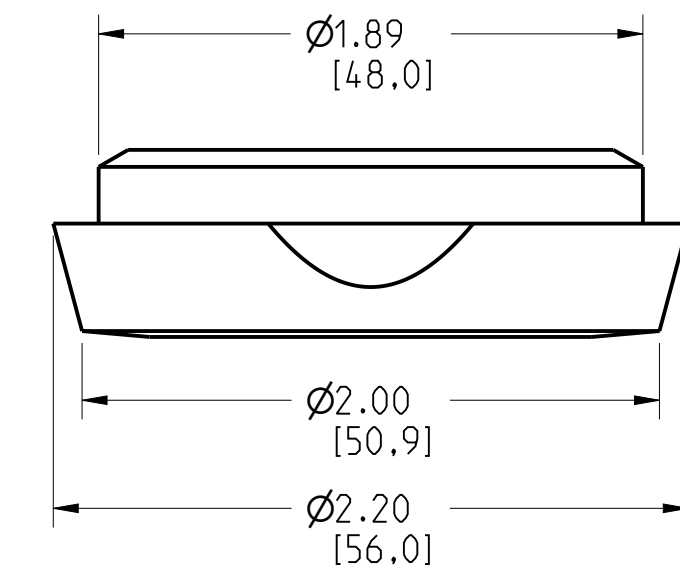
2" TRI-CLAMP



DIN11851 DN32



DIN11851 DN40



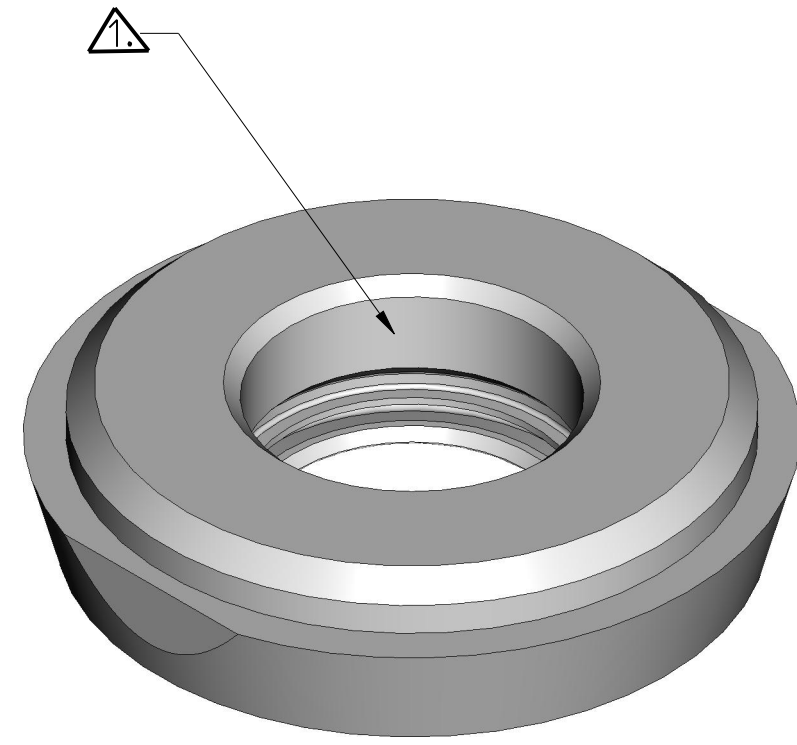
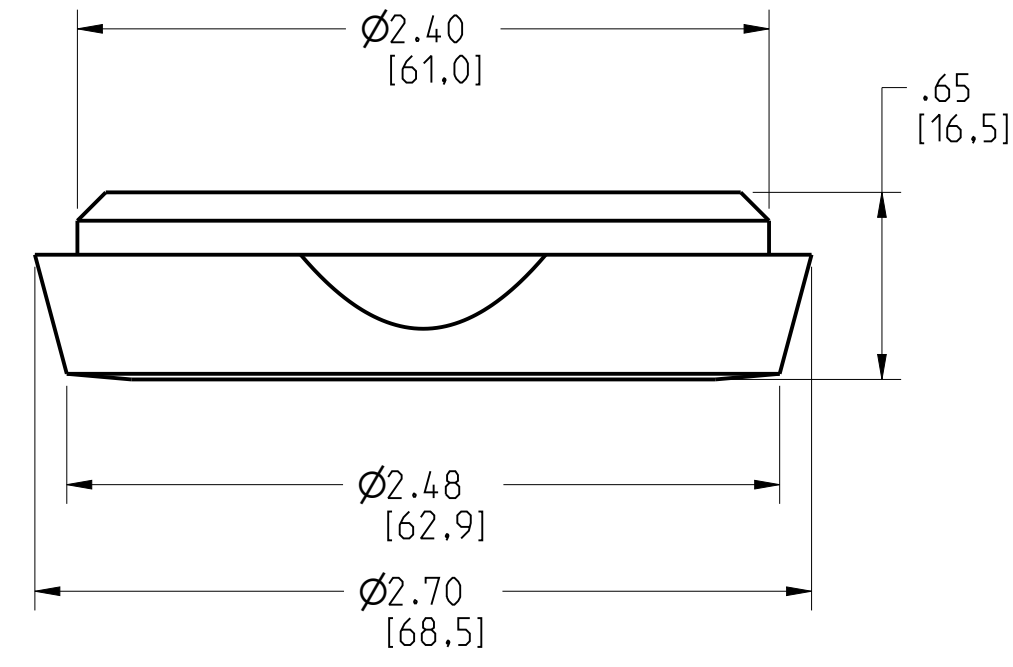
PROCESS CONNECTION ADAPTERS ASSEMBLE TO TRANSMITTERS WITH G1 PROCESS CONNECTION

G1 THREAD CONNECTION

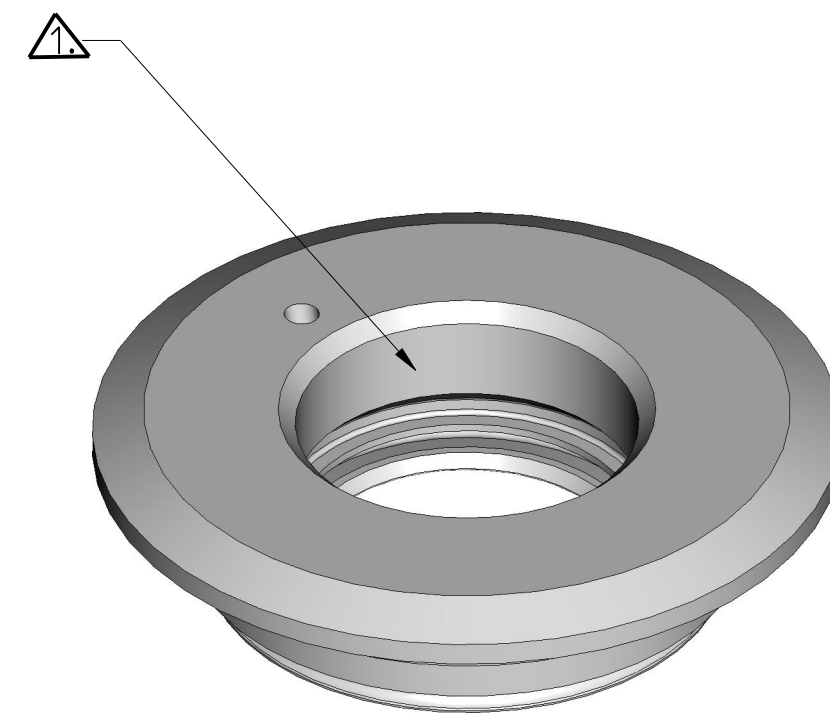
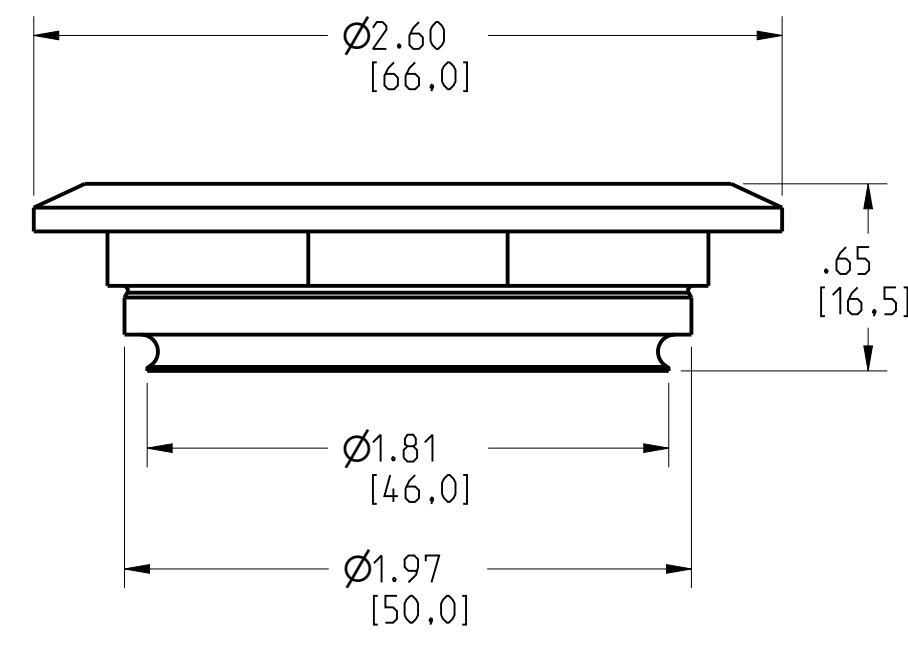
<small>©2015 ROSEMOUNT, INC. ALL RIGHTS RESERVED. THIS DRAWING IS THE PROPERTY OF ROSEMOUNT ENGINEERING SPECIFICATIONS. UNIT NOTES IN INCHES (mm). REFERENCE ROSEMOUNT PRODUCT SPECIFICATIONS. CAD MAINTAINED. (PRO/E)</small>					
	TITLE ROSEMOUNT 1408H TYPE I DRAWING				
	DR. J. ARMSTRONG APP'D J. SANDAHL	5/11/20 5/11/20	DRAWING NO. 01408-7000		
	SHEET 1 OF 3				

PROCESS CONNECTION ADAPTERS

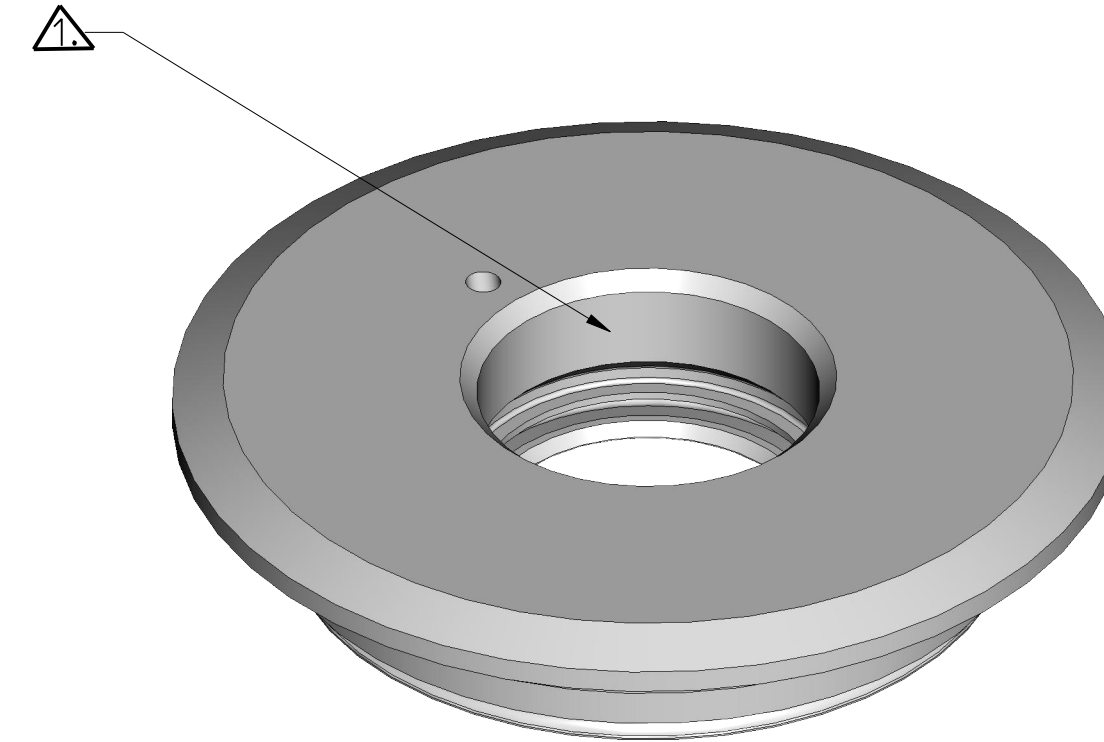
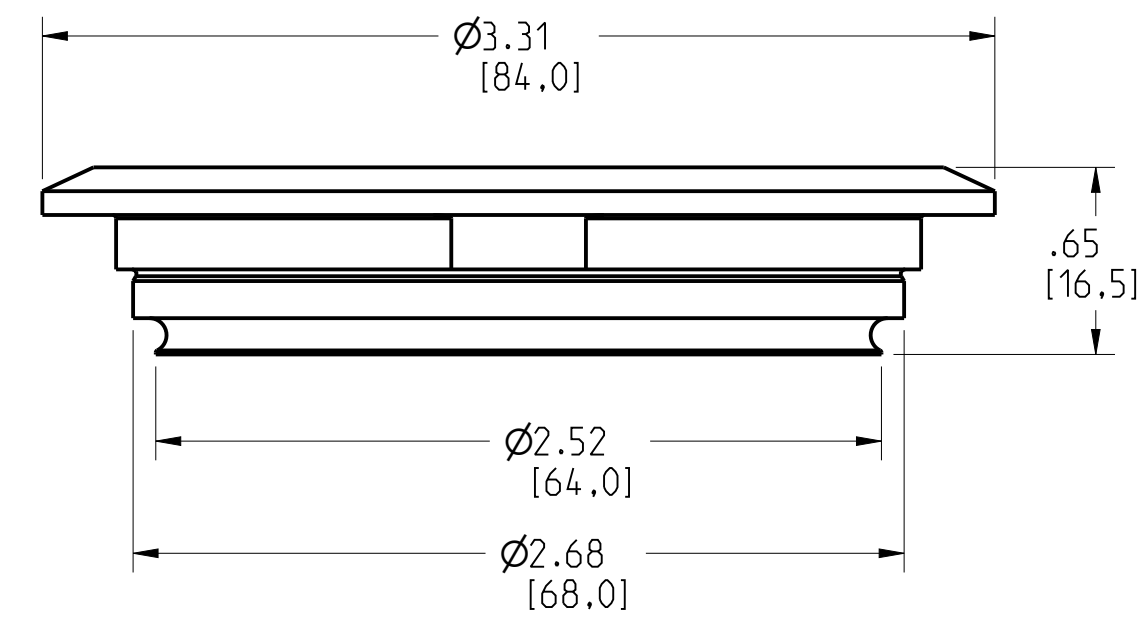
DIN11851 DN50



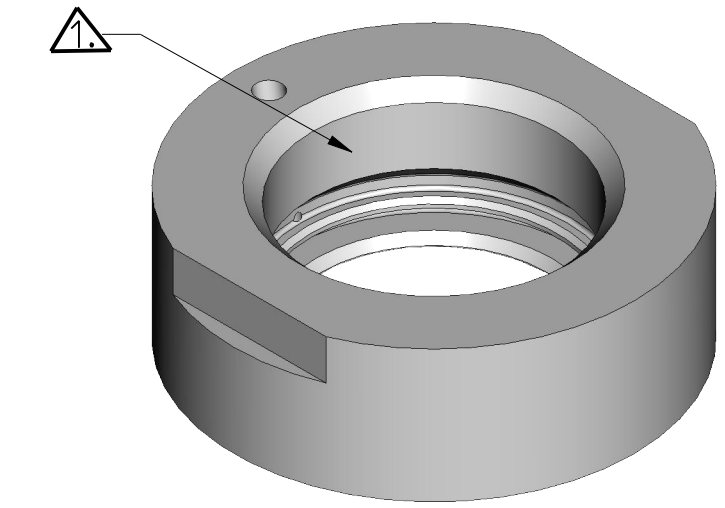
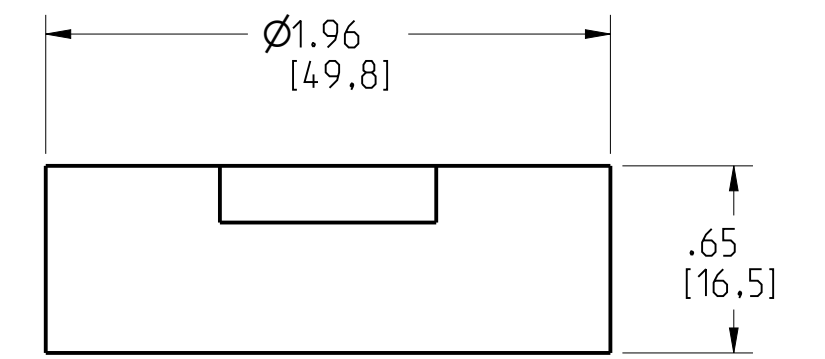
VARIVENT TYPE F



VARIVENT TYPE N

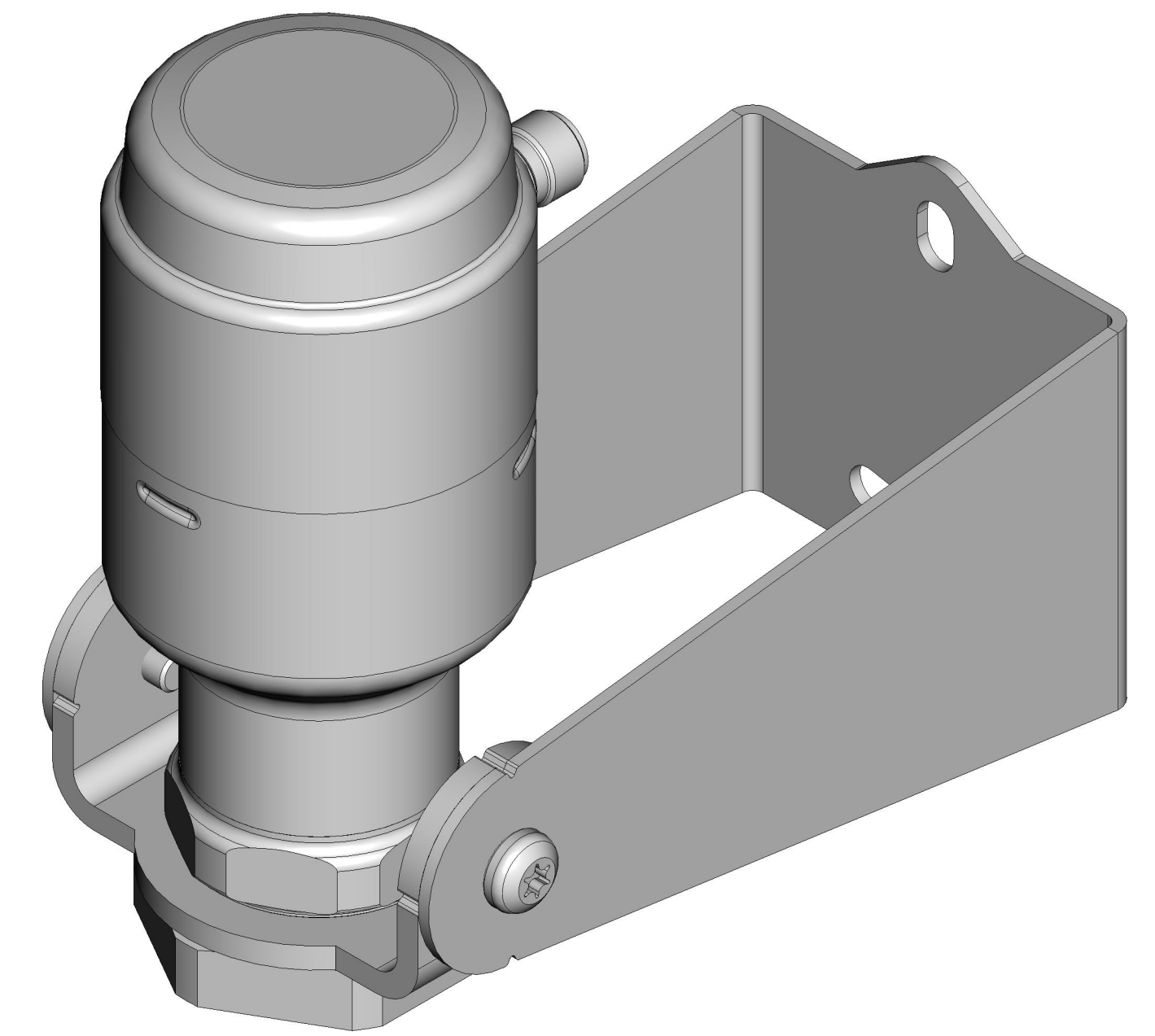
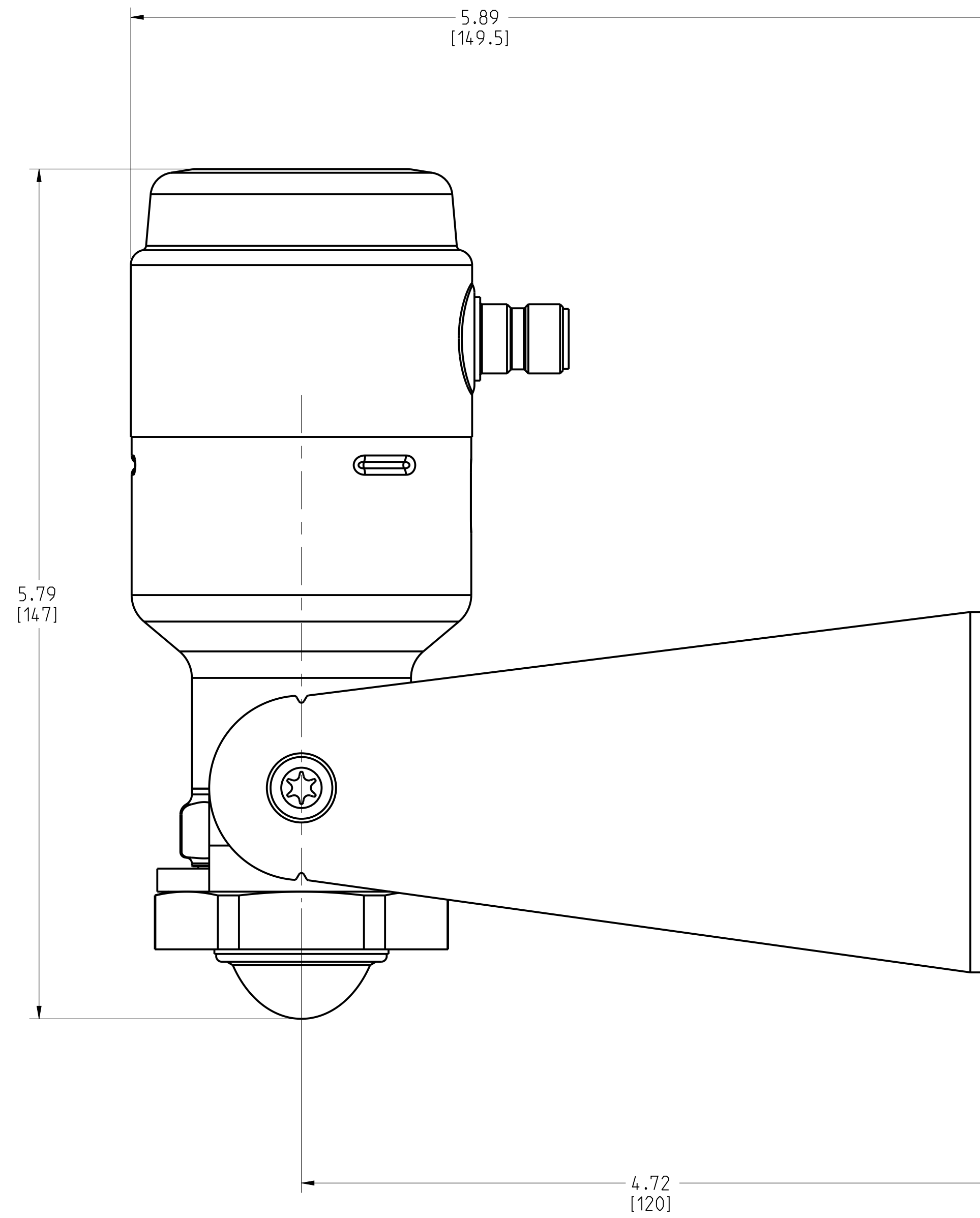
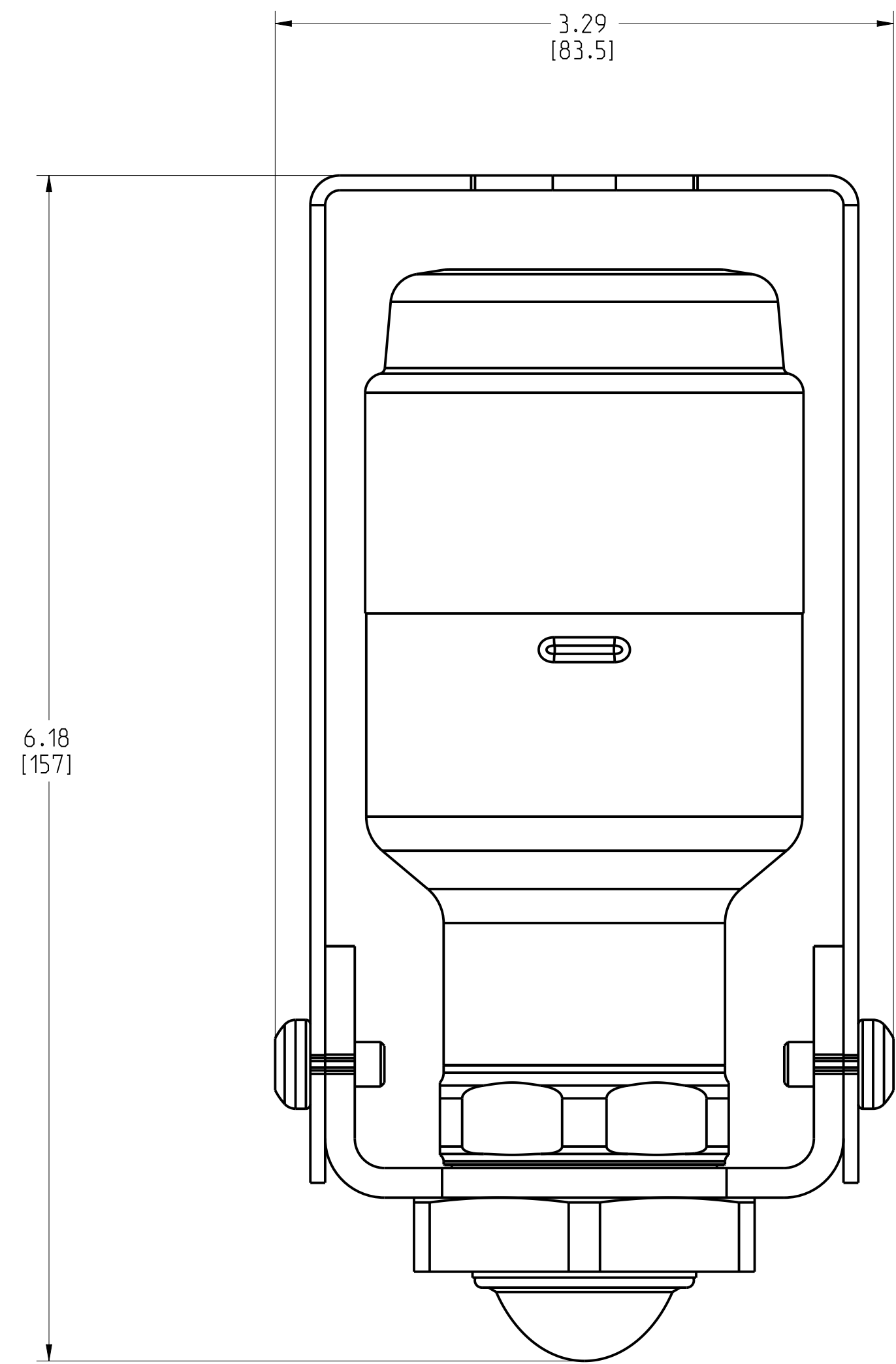


WELD-IN D50



©2015 ROSEMOUNT, INC. ROSEMOUNT ACCEPTS ALL LIABILITY FOR THE USE OF THESE DRAWINGS AND/OR ACCORDANCE WITH ROSEMOUNT ENGINEERING SPECIFICATIONS. UNIT NOTES IN INCHES (mm). REFERENCE ROSEMOUNT PRODUCT SPECIFICATIONS. CLICK HERE	3RD ANGLE	SIZE D	SCALE NTS
	TITLE ROSEMOUNT 1408H TYPE I DRAWING		
	DR. J. ARMSTRONG 5/11/20 DRAWING NO.	01408-7000	
APP'D J. SANDAHL 5/11/20	SHEET 2 OF 3		

ROSEMOUNT 1408H LEVEL TRANSMITTER WITH MOUNTING BRACKET



©2015 ROSEMOUNT, INC. ROSEMOUNT AND CLICHEE ARE TRADEMARKS OF ROSEMOUNT ENGINEERING SPECIFICATIONS. UNIT NOTES IN INCHES (mm). REFERENCE ROSEMOUNT PRODUCT SPECIFICATIONS. CLICK HERE	3RD ANGLE		SIZE D	SCALE NTS
	TITLE ROSEMOUNT 1408H TYPE I DRAWING			
	DR. J. ARMSTRONG 5/11/20	DRAWING NO.	01408-7000	
APP'D J. SANDAHL 5/11/20				SHEET 3 OF 3
CAD MAINTAINED (PRO/EI)				