

# TYPE XF: EEXD ENCLOSURE


EXPLOSION / FLAME PROOF



## Introduction

This explosion / flame proof enclosure is specifically engineered to house our F-Series product range. Rugged and durable this enclosure will stand up to the most extreme conditions.

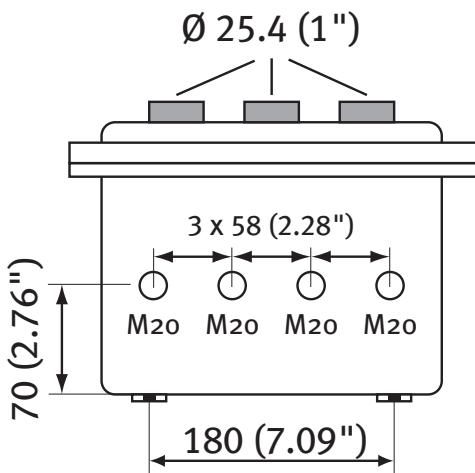
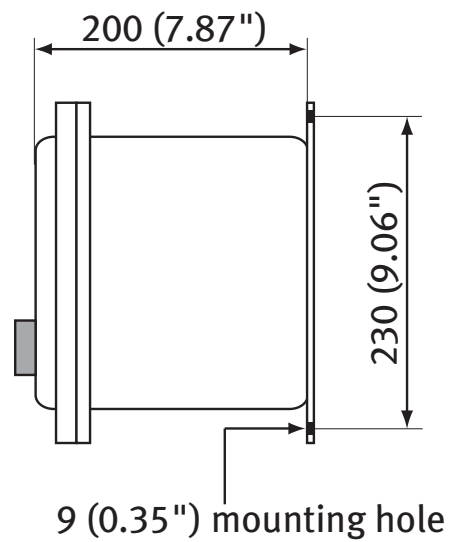
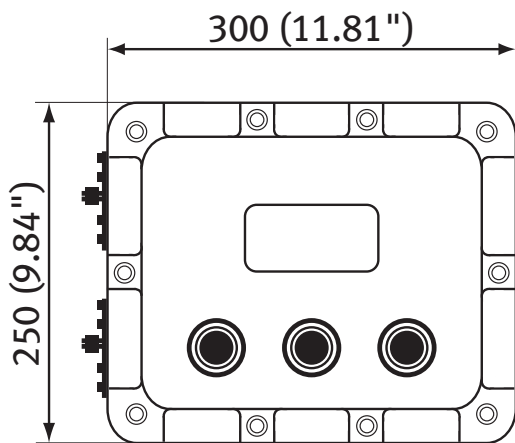
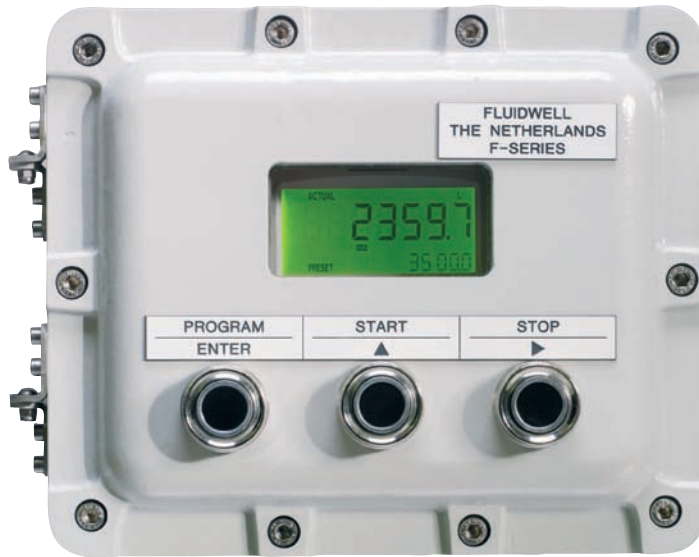
## Features

- ATEX certified:  II 2 GD EEx d IIB T5 IP65 KEMA 04 ATEX 2083.
- Sturdy aluminum casing.
- Four stainless steel M20 cable glands available.
- Enclosure contains four 9mm (0.35") mounting holes.
- Weight is approximately 13,5 kg.
- Three buttons available, which will stand up to all conditions.

## Dimensions

- Outside: 300 x 250 x 200mm (11.8" x 9.9" x 7.9") L x H x D.
- Inside: 225 x 175 x 167 (8.9" x 6.9" x 6.6") L x H x D.

## Mounting dimensions



Specifications are subject to change without notice.