

FS-400 3.0 - 37.5 (l/min) with pre-adjusted set points  
 FS-400A 3.0 - 53.0 (l/min) variable adjustment of set points

SHUTTLE TYPE

The FS-400 and FS-400-Adjustable switches provide 1% repeatability. The unit may be fitted instead of a pipe elbow where space is at a premium.

**Specifications**

(all data related to water at +20°C)

<b>Max. flow</b>	55 l/min
<b>Max. operating pressure</b>	27 bar
<b>Minimum line pressure</b>	350mb
<b>Proof pressure</b>	45 bar
<b>Temperature range</b>	- 20°C...+150°C
<b>Set points</b>	see order numbers
<b>Switching function (related to increasing flow)</b>	SPDT
<b>Mounting orientation</b>	any position
<b>Factory calibration position</b>	vertical, inlet port down, electrical connection up
<b>Repeatability</b>	± 1%
<b>Adjustment accuracy</b>	± 5%
<b>Hysteresis</b>	max. 15%
<b>Mounting</b>	3/4" NPT
<b>Electrical connection</b>	- lead wire: Polymeric, 18 AWG (length: approx. 0.6m) - terminal box option see page FS-200
<b>Enclosure</b>	- IP 44 (with lead wire) - IP 54 (with terminal box) IP65 (with K6 box)
<b>Electrical data contact rating</b>	SPDT max. 20 VA, 0.5 A, 250 V~
<b>Weight</b>	0.8 kg
<b>Filtration</b>	150 microns

Atex certified p/no.s available upon request

**How to Order**

**Order numbers for FS-400**

Set points (l/min)	Order number
3.0	022-6440
6.0	022-6441
7.0	022-6442
9.5	022-6443
19.5	022-6444
28.5	022-6445
37.5	022-6446

**Order numbers for FS-400A**

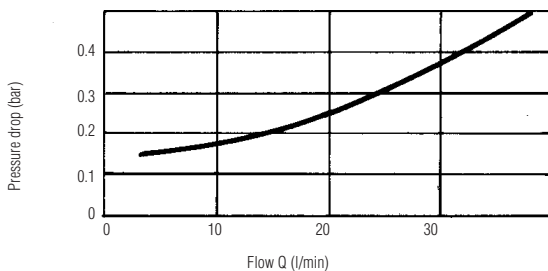
Set points (l/min)	Order number
3.0 ... 15.0	022-6600
7.5 ... 30.0	022-6601
26.5 ... 53.0	022-6602

\*Order numbers are valid for units with the electrical connection "lead wire". If you need a unit with the electrical connection "terminal box", please select the respective "lead wire" order number and add: "...with mounted terminal box 912-0615 or 912-0625".

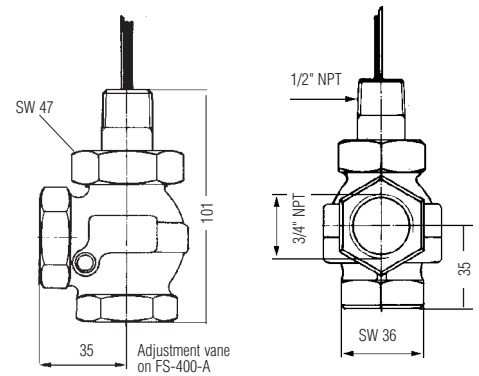
See drawing (page 57, FS-200)

**Pressure Drop Diagram**

(at min. set point adjustment)

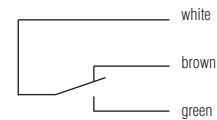


**Dimensions (in mm)**



- Housing: Bronze
- Disc: Stainless Steel
- O-Ring: Viton®
- Spring: Stainless Steel
- Magnet: PTFE/Ceramic

**Wiring Diagram**



FLOW SWITCHES