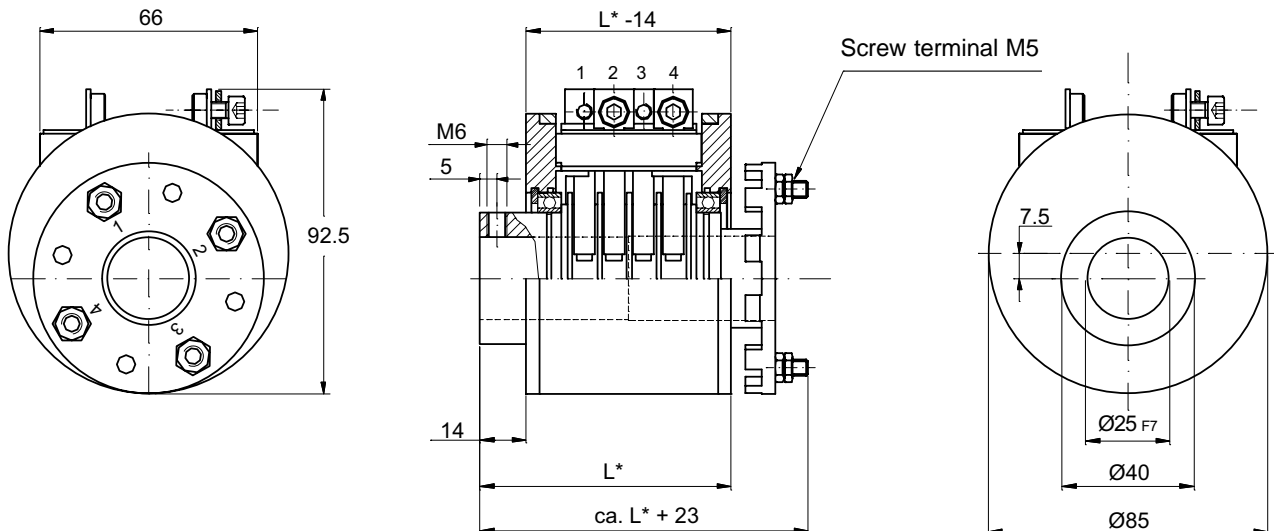


Slip Ring SH 085



- 2 ... 16 rings
- max. 25 A per ring
- Outer diameter: 85 mm
- Inner diameter: 25 mm
- Interchangeable brushblock



Electrical Data

Number of rings:	2 ... 16
Operating current:	max. 25 A; higher current upon request
Operating voltage:	nom. 50 V AC/DC; higher voltage upon request
High pot:	500 V AC
Insulation resistance:	1000 MOhm at 500 V DC
Circuit resistance:	max. 0,1 Ohm (terminal / terminal)
Contacts:	Silver carbon / brass

Number of rings	L* (mm)
2	76
4	76
6	94
8	112
10	130
12	148
14	166
16	184

Mechanical Data

Speed:	max. 300 rpm
Protection class:	IP 00, IP 50 or IP 65
Temperature:	-20 °C ... +80 °C (-5 °F ... +175 °F)
Rotor connection:	Screw terminal M5
Stator connection:	Screw terminal M5
Hollow shaft:	Ø 25 F7 throughbare; others upon request

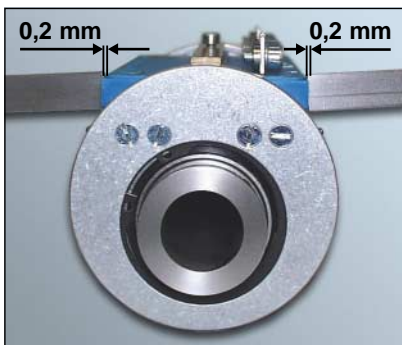
LTN Servotechnik GmbH

Order Information

- No. of rings: 2 ... 16
- Operating current
- Operating voltage
- Options: see pictures

Options

- Bracing: Customer design (Standard) / Anti-Rotation-Pin / Positioning-Disk
- Protection classes: IP 00; IP 50; IP 65
- Protection caps for IP 50 and IP 65
 - Stator: Protection cap with PG / connector (Standard: Alu; others upon request)
- Cable-Version: pls. indicate cable length, ec.



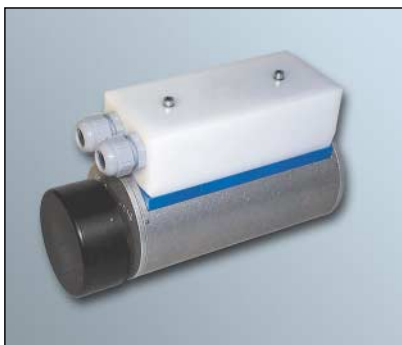
Standard-Bracing:
Customer design



Bracing:
Anti-Rotation-Pin (at shaft end)



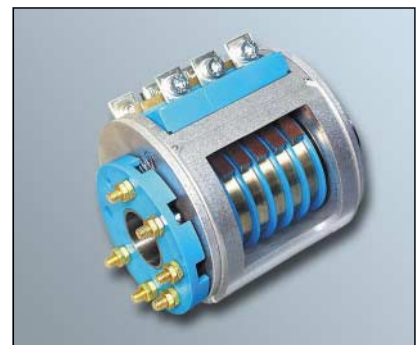
Bracing:
Positioning-Disk (at shaft end)



Protection caps for screw terminals
Stator: optional with cable gland



Protection cap for screw terminal
Stator: optional with connector



removable Plexiglas-Window
for maintenance work

LTN Servotechnik GmbH

Georg-Hardt-Straße 4

D-83624 Otterfing

Germany

Tel: +49 - 08024 - 60 80 - 0

Fax: +49 - 08024 - 60 80 - 100

E-Mail: LTN@LTN.de

Internet: www.LTN.de