

Single level switches LS-77700, LS-1700, LS-1750E, LS-1800



LS-77700 - Bent Stem

These units perform in liquids with specific gravities as low as .45; switches protrude into tank less than 75mm.



LS-1700

Offer broad chemical compatibility for general purpose use. Also ideal for oils and water.



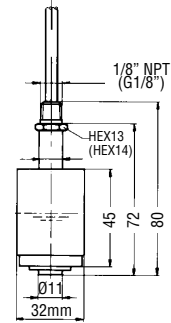
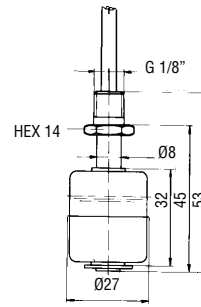
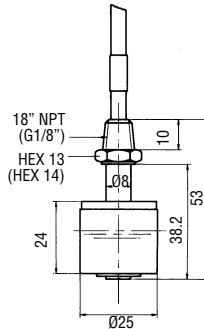
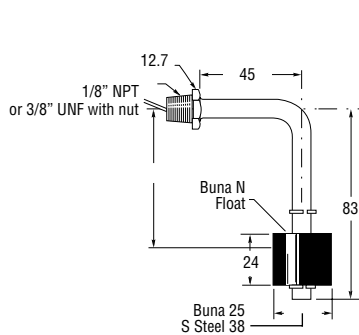
LS-1750E

Rugged construction suitable for most corrosive liquids, and for high temperatures and pressures.



LS-1800

Intermediate in size, LS-1800 switches provide long life and dependability to meet a broad range of requirements.



Specifications

	LS-77700	LS-1700	LS-1750E	LS-1800
Materials				
Stem and Mounting	Brass or S Steel	Brass or S Steel	S Steel	Brass or S Steel
Float	S Steel or Buna N	Buna N or PTFE	S Steel	Buna N
Operating Pressure	10bar 7 bar S Steel Float	10 Bar 70 bar PTFE Float	20 bar	10 bar
Temperature				
-40°C to	+80°C Water	+80°C Water	+150°C	+80°C Water
(Note: PVC Cable Limited to +80°C Ambient)	+110°C Oil	+110°C Oil		+110°C Oil
	+150°C S Steel Float	+100°C PTFE		
Depth of immersion at a density of 1	Buna N: ~9mm S Steel: ~15mm	Buna N: ~9mm PTFE: ~13mm	~21mm	~24mm
Minimum specific gravity of the liquid	Buna N: 0.45 S Steel: 0.7	Buna N: 0.45 PTFE: 0.85	0.85	0.7
Type of reed switch	SPST 20 VA	SPST 50 VA	SPST 50 VA	SPST 100 VA SPDT 20 VA
Electrical connection (Length approx. 1m)	22 AWG 0.6m L., Teflon® Lead wires	Fly lead: AWG 20 FEP Cable: 0.34 mm² PVC	Fly lead: AWG 20 FEP Cable: 0.34 mm² PVC	Fly Lead: AWG 20 FEP Cable: 0.34 mm² PVC
Mounting thread	1/8" NPT 3/8" UNF with nut	1/8" NPT	G 1/8"	1/8" NPT G 1/8"
Protection rating	IP64	IP64	IP64	IP64
Weight approx	150g	30g	50g	80g

Order data

Stem, Float, Mounting Electrical Connection	LS-77700	LS-1700	LS-1750E	LS-1800
Brass/Buna, NPT, cable		010-2921 NO/NC		010-2930 NO/NC 010-3011 SPDT
Brass/Buna, NPT, leads	118125	010-1701 NO/NC		013-5651 NO/NC 013-0272 SPDT
Brass/Buna, G, cable		011-1700 NO/NC		011-1800 NO/NC
S.Steel/Buna,NPT, cable		010-2922 NO/NC		010-2931 NO/NC 010-3013 SPDT
S Steel/Buna, NPT, leads		010-1702 NO/NC		013-5657 NO/NC 012-4367 SPDT
S Steel/PTFE, NPT, leads		012-6791 NO 012-7980 NC		
S Steel/PTFE, NPT, cable		010-2924 NO 010-2923 NC		
Brass/Buna,3/8"UNF, leads	118127			
S Steel/S Steel, 3/8"UNF, leads	117716			
S Steel/S Steel, G, cable PVC			011-1750 NO/NC	
S Steel/S Steel, G, leads			010-0340 NO/NC	
S Steel/S Steel, G, cable Silicon			010-0554 NO/NC	